

**301-009ST
2 NAUTICAL MILES
112,5° PORT SIDELIGHT,
DOUBLE, HORIZONTALLY MOUNTED**

This LED navigation light consists of two individual lights, each with a single high-power LED that produces light in the specified angle utilizing special designed PMMA light guides. Each light can be activated separately.

The precision machined 6082 aluminium housing with an anodized surface makes the light a rugged and durable housing for the LEDs and electronics contained within.

The interior is completely filled with a special potting resin making it water- and vibration proof.

Produced in our in-house manufacturing facility to meet and exceed exacting standards such as EN14744 and UL1104, under a quality management system continuously surveyed by Lloyds Register Quality Assurance.

Each light is subjected to final testing for a minimum of 16 hours of continuous operation bringing the total test time beyond 24 hours.

This navigation light is in compliance with the following standards:

- COLREG72
- EN14744
- IEC 60945
- USCG (UL1104)

Together with an appropriate Control & Monitoring System, such as Lopolight's own NLC* this navigation light can form part of an IMO MSC 253(83), LY3 and LY4 compliant system.

*) information found here: www.lopolight.com/NlcPanel



Technical specifications

Vessel size: 12m – 50m (39.4' - 164')

Visibility: >2 nautical miles

Intensity: >5,4cd

Power consumption: 2,5 Watt; Current: 0,21A @ 12 VDC – 0,1A @ 24 VDC

Operating voltage: 10 - 32 VDC

Number of LEDs: 1/1

Light colour: Red

Operating temperature: -25°C to +55°C

IP rating: IP68

Mounting: Horizontal, see K-Lock sheet for options

Connection: 2 cables consisting of 2 x 0,5 mm² leads, a screen and insulation.

- Red lead = Power
- Black lead = GND

Certification: Pending

The product is in compliance with the following standards:
COLREG72/ EN14744 / IEC 60945 / USCG (UL1104)

Dimensions: See drawing

Weight: 1,2kg

Warranty:

Lopolight products are covered by a 5-year limited warranty.

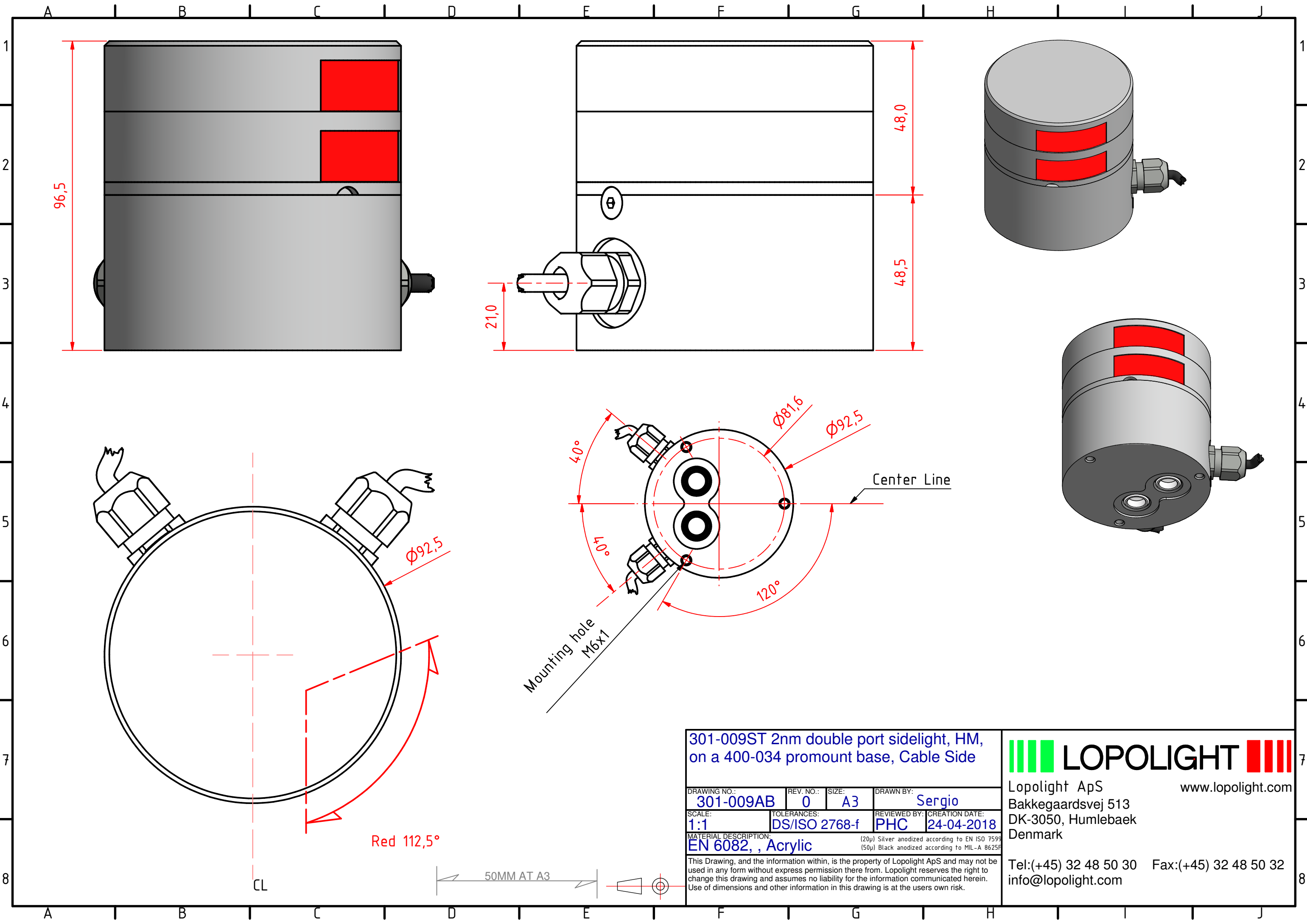
Warranty conditions can be found on www.lopolight.com/Home/Service

Included in the standard package:

- 1 pc. Double navigation light, pre-cabled with 2,5m marine grade cable on aluminium base
- 1 pc. HDPE base plate
- 3 pcs. M6x14 mounting screws
- Installation instructions

Ordering information

| BASE OPTION | CABLE LENGTH | PART NUMBER SILVER FINISH | PART NUMBER BLACK FINISH* |
|---|--------------|------------------------------|------------------------------|
| 400-038 (drawing A - D) CSCD base (standard) | 2,5m / 8.2' | 301-009ST | 301-009ST-B |
| 400-035 (drawing E - F) CD base | 2,5m / 8.2' | 301-009ST-CD | 301-009ST-B-CD |



301-009ST 2nm double port sidelight, HM,
on a 400-034 promount base, Cable Side

| | | | |
|--------------|---------------|--------------|----------------|
| DRAWING NO.: | REV. NO.: | SIZE: | DRAWN BY: |
| 301-009AB | 0 | A3 | Sergio |
| SCALE: | TOLERANCES: | REVIEWED BY: | CREATION DATE: |
| 1:1 | DS/ISO 2768-f | PHC | 24-04-2018 |

MATERIAL DESCRIPTION:
EN 6082, , Acrylic (20µ) Silver anodized according to EN ISO 7599
(50µ) Black anodized according to MIL-A 8625F

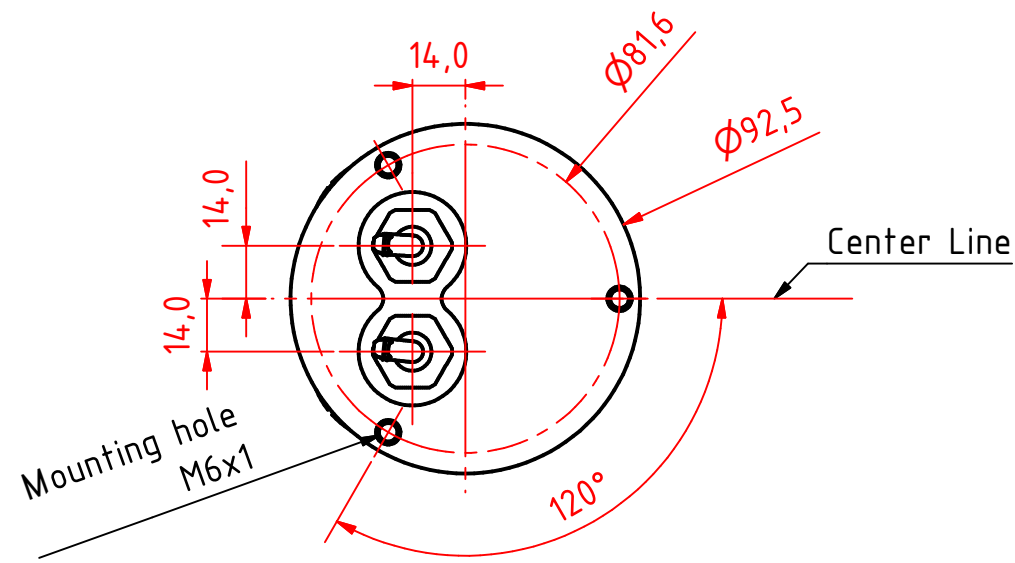
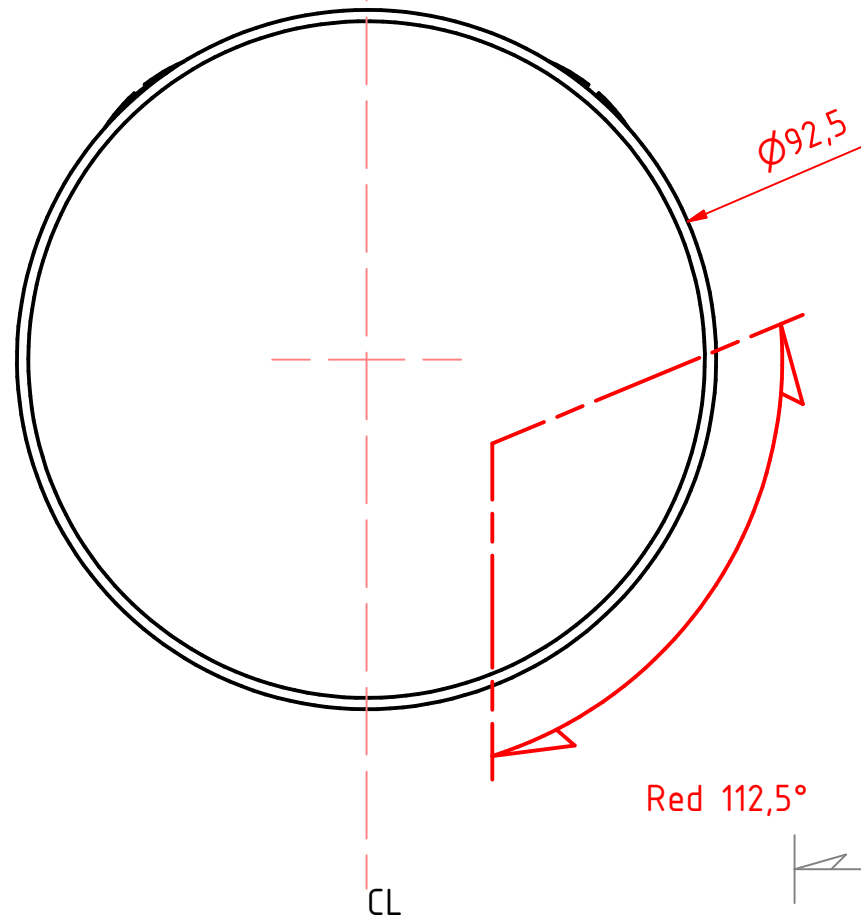
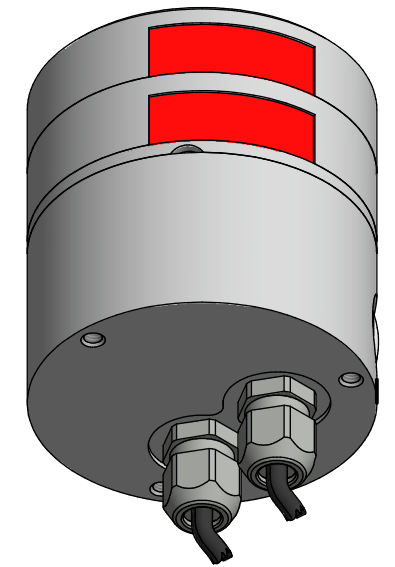
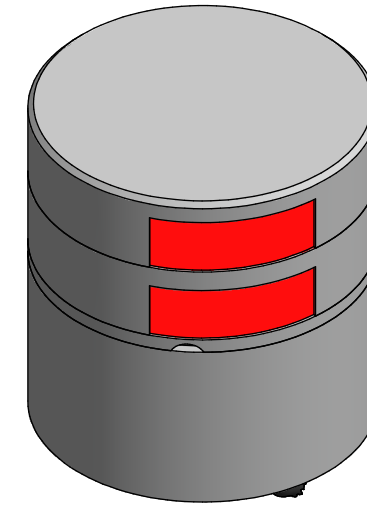
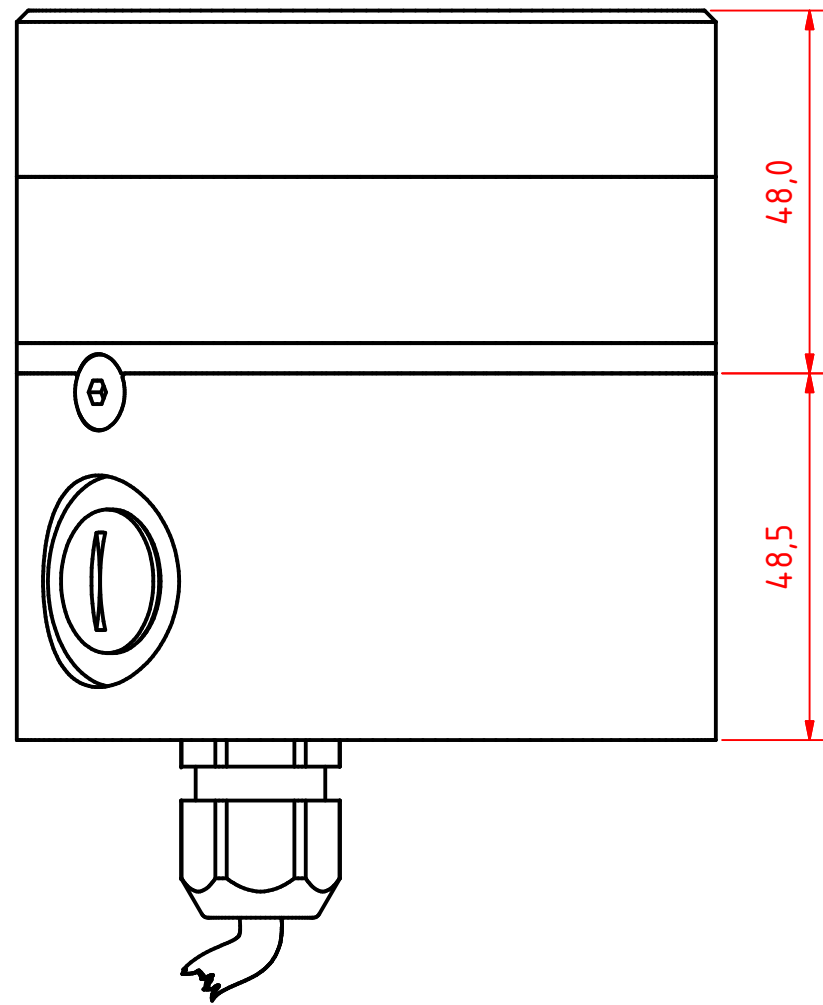
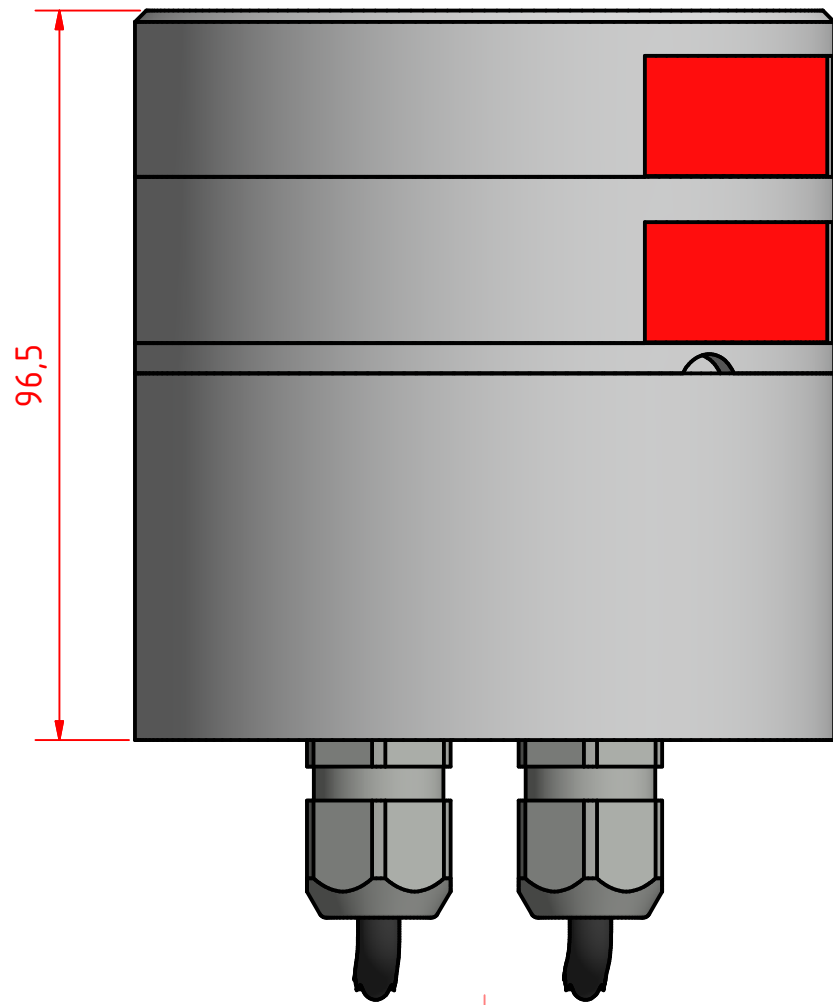
This Drawing, and the information within, is the property of Lopolight ApS and may not be used in any form without express permission there from. Lopolight reserves the right to change this drawing and assumes no liability for the information communicated herein. Use of dimensions and other information in this drawing is at the users own risk.



Lopolight ApS
Bakkegaardsvej 513
DK-3050, Humlebaek
Denmark

Tel:(+45) 32 48 50 30 Fax:(+45) 32 48 50 32
info@lopolight.com

www.lopolight.com



301-009ST 2nm double port sidelight, HM,
on a 400-034 promount base, Cable Down

DRAWING NO.: 301-009BB REV. NO.: 0 SIZE: A3 DRAWN BY: Sergio

SCALE: 1:1 TOLERANCES: DS/ISO 2768-f REVIEWED BY: PHC CREATION DATE: 24-04-2018

MATERIAL DESCRIPTION: EN 6082, , Acrylic (20µ) Silver anodized according to EN ISO 7599 (50µ) Black anodized according to MIL-A 8625F

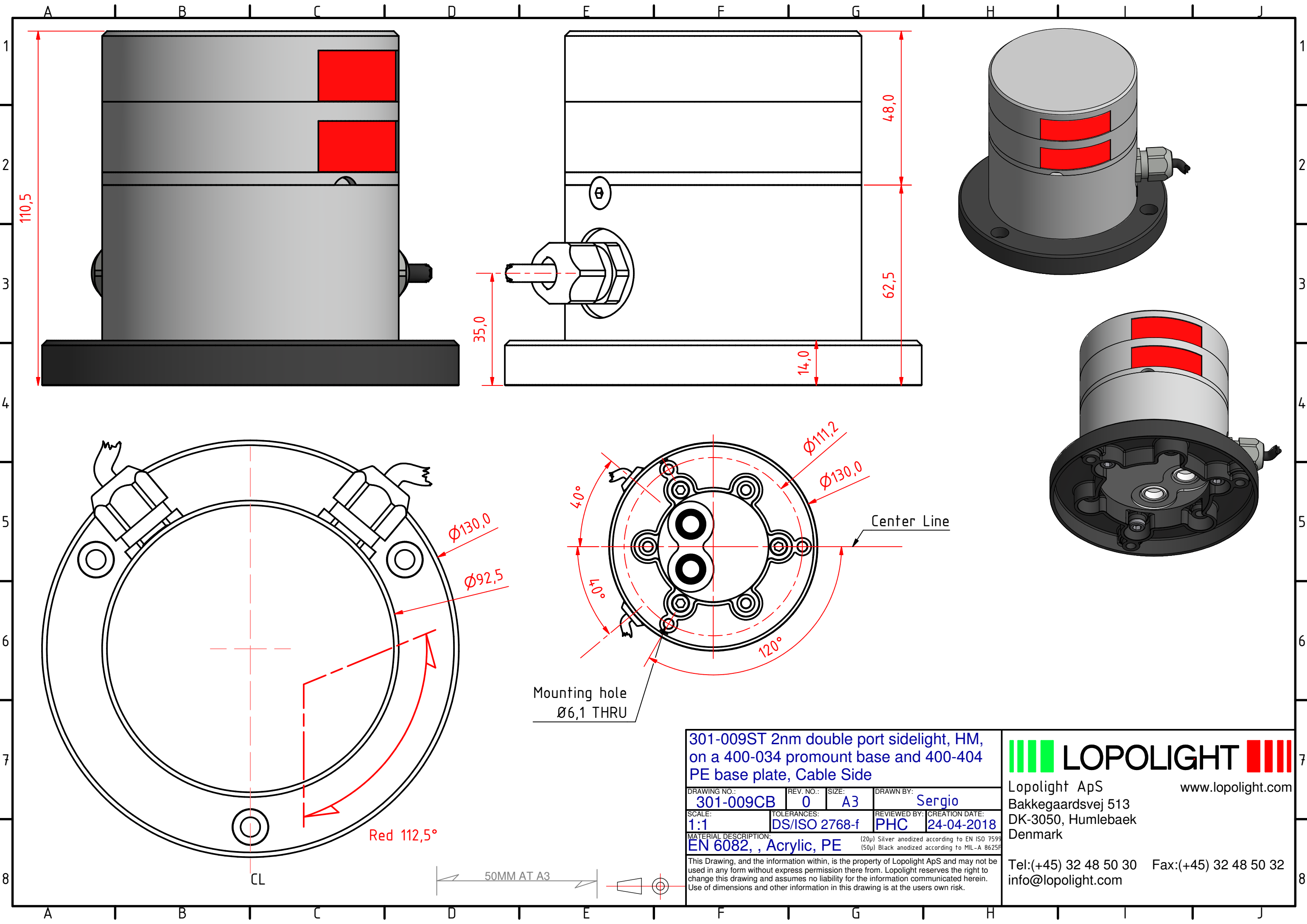
This Drawing, and the information within, is the property of Lopolight ApS and may not be used in any form without express permission there from. Lopolight reserves the right to change this drawing and assumes no liability for the information communicated herein. Use of dimensions and other information in this drawing is at the users own risk.



Lopolight ApS www.lopolight.com
Bakkegaardsvej 513
DK-3050, Humlebaek
Denmark

Tel:(+45) 32 48 50 30 Fax:(+45) 32 48 50 32
info@lopolight.com

50MM AT A3



301-009ST 2nm double port sidelight, HM, on a 400-034 promount base and 400-404 PE base plate, Cable Side

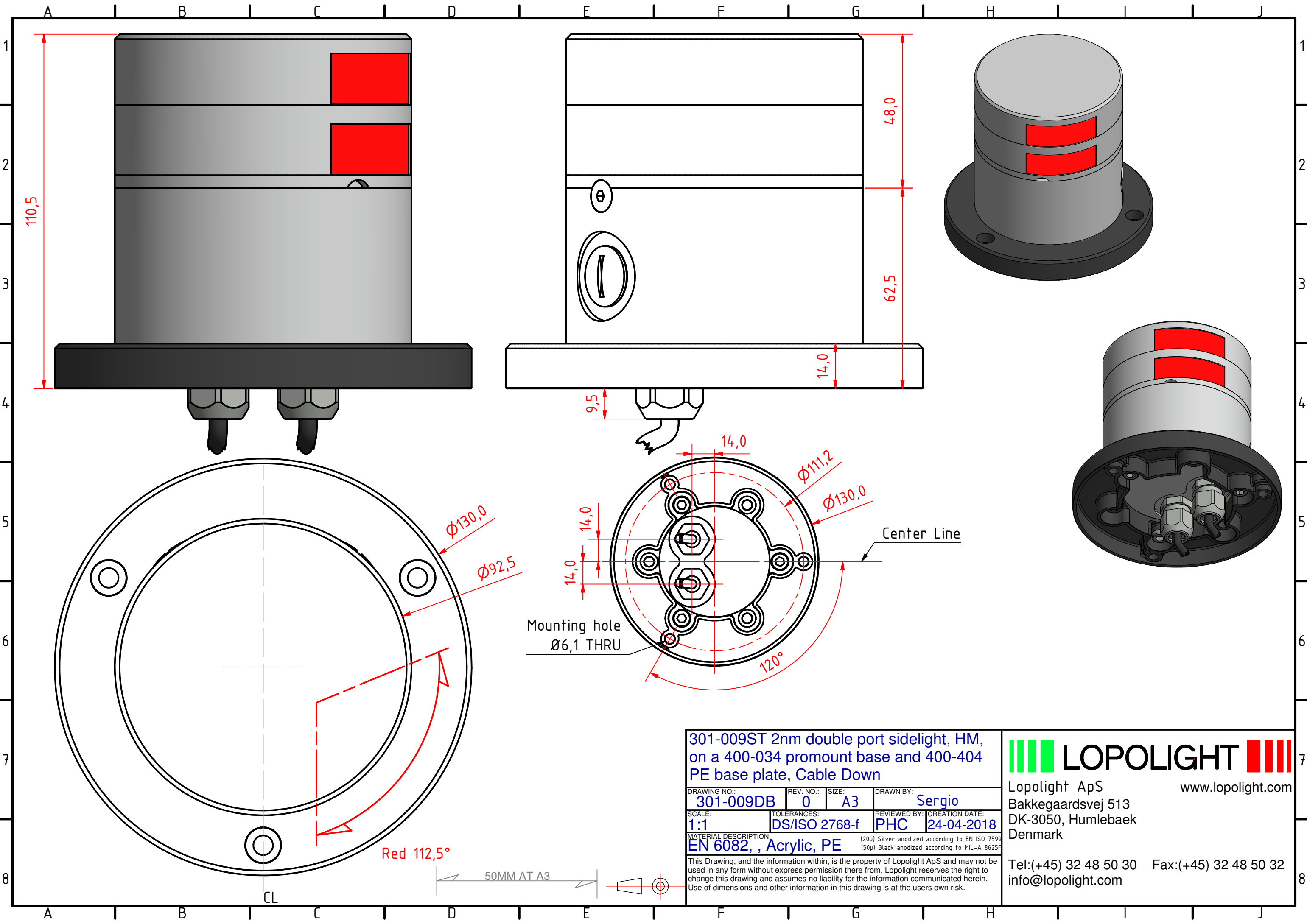
| | | | |
|---|---------------|--------------|----------------|
| DRAWING NO.: | REV. NO.: | SIZE: | DRAWN BY: |
| 301-009CB | 0 | A3 | Sergio |
| SCALE: | TOLERANCES: | REVIEWED BY: | CREATION DATE: |
| 1:1 | DS/ISO 2768-f | PHC | 24-04-2018 |
| MATERIAL DESCRIPTION: | | | |
| EN 6082, , Acrylic, PE (20µ) Silver anodized according to EN ISO 7599 (50µ) Black anodized according to MIL-A 8625F | | | |
| This Drawing, and the information within, is the property of Lopolight ApS and may not be used in any form without express permission there from. Lopolight reserves the right to change this drawing and assumes no liability for the information communicated herein. Use of dimensions and other information in this drawing is at the users own risk. | | | |

LOPOLIGHT

Lopolight ApS
 Bakkegaardsvej 513
 DK-3050, Humlebaek
 Denmark

www.lopolight.com

Tel:(+45) 32 48 50 30 Fax:(+45) 32 48 50 32
 info@lopolight.com



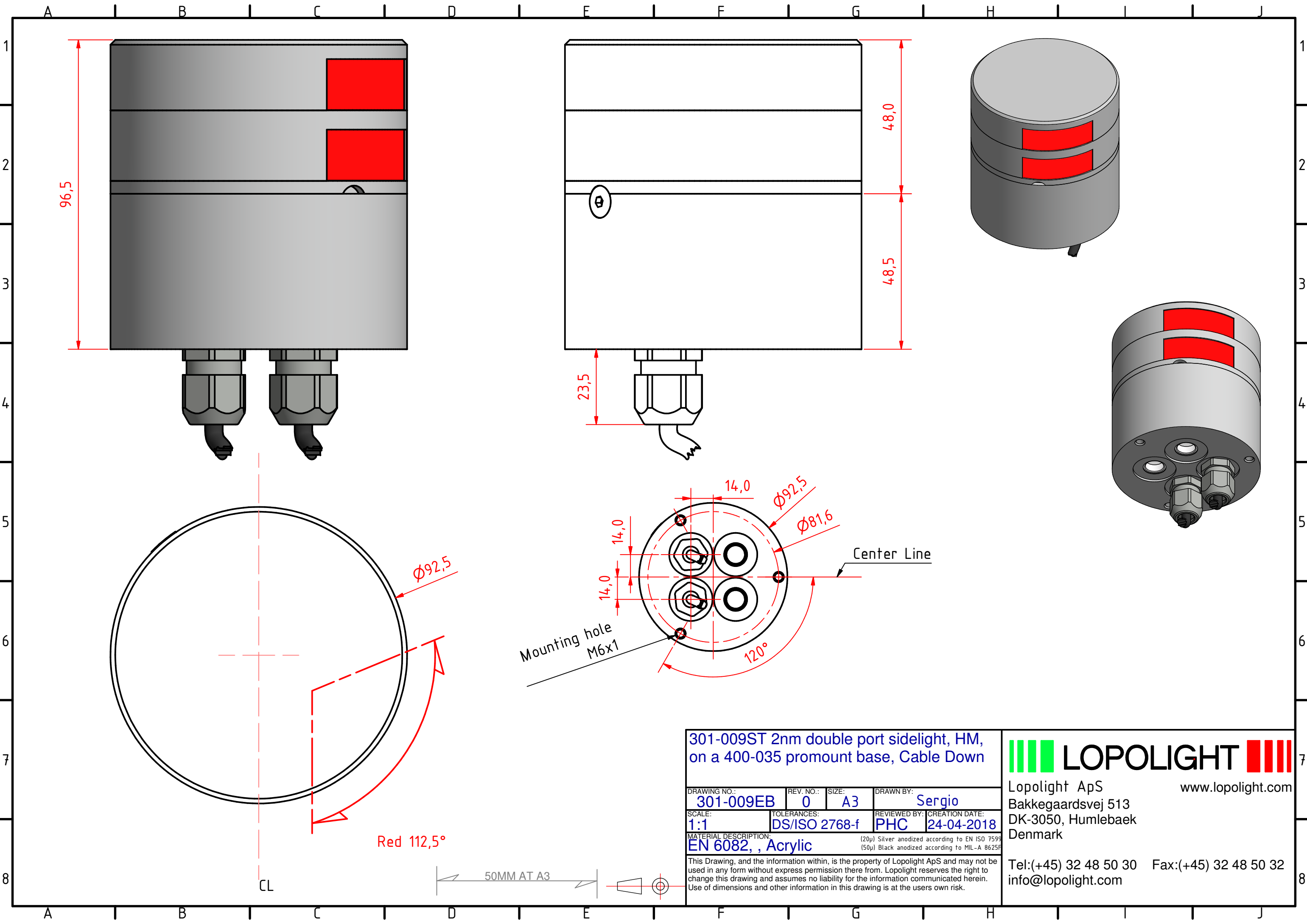
301-009ST 2nm double port sidelight, HM, on a 400-034 promount base and 400-404 PE base plate, Cable Down

| | | | |
|--------------|---------------|--------------|----------------|
| DRAWING NO.: | REV. NO.: | SIZE: | DRAWN BY: |
| 301-009DB | 0 | A3 | Sergio |
| SCALE: | TOLERANCES: | REVIEWED BY: | CREATION DATE: |
| 1:1 | DS/ISO 2768-f | PHC | 24-04-2018 |

MATERIAL DESCRIPTION:
 EN 6082, , Acrylic, PE (20µ) Silver anodized according to EN ISO 7599 (50µ) Black anodized according to MIL-A 8625F

This Drawing, and the information within, is the property of Lopolight ApS and may not be used in any form without express permission there from. Lopolight reserves the right to change this drawing and assumes no liability for the information communicated herein. Use of dimensions and other information in this drawing is at the users own risk.

LOPOLIGHT
 Lopolight ApS
 Bakkegaardsvej 513
 DK-3050, Humlebaek
 Denmark
 www.lopolight.com
 Tel:(+45) 32 48 50 30 Fax:(+45) 32 48 50 32
 info@lopolight.com



301-009ST 2nm double port sidelight, HM, on a 400-035 promount base, Cable Down

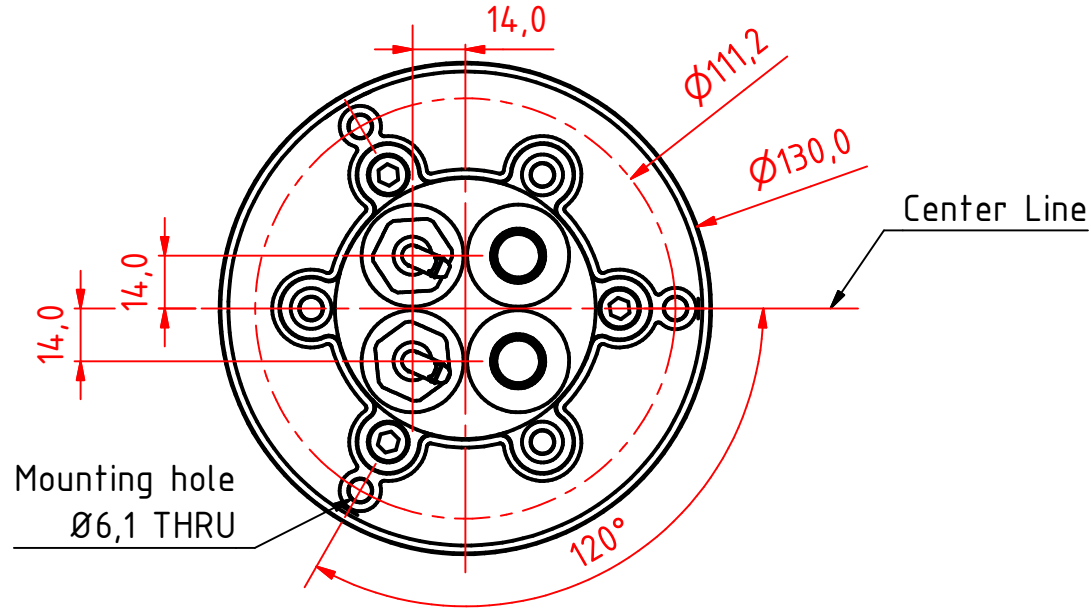
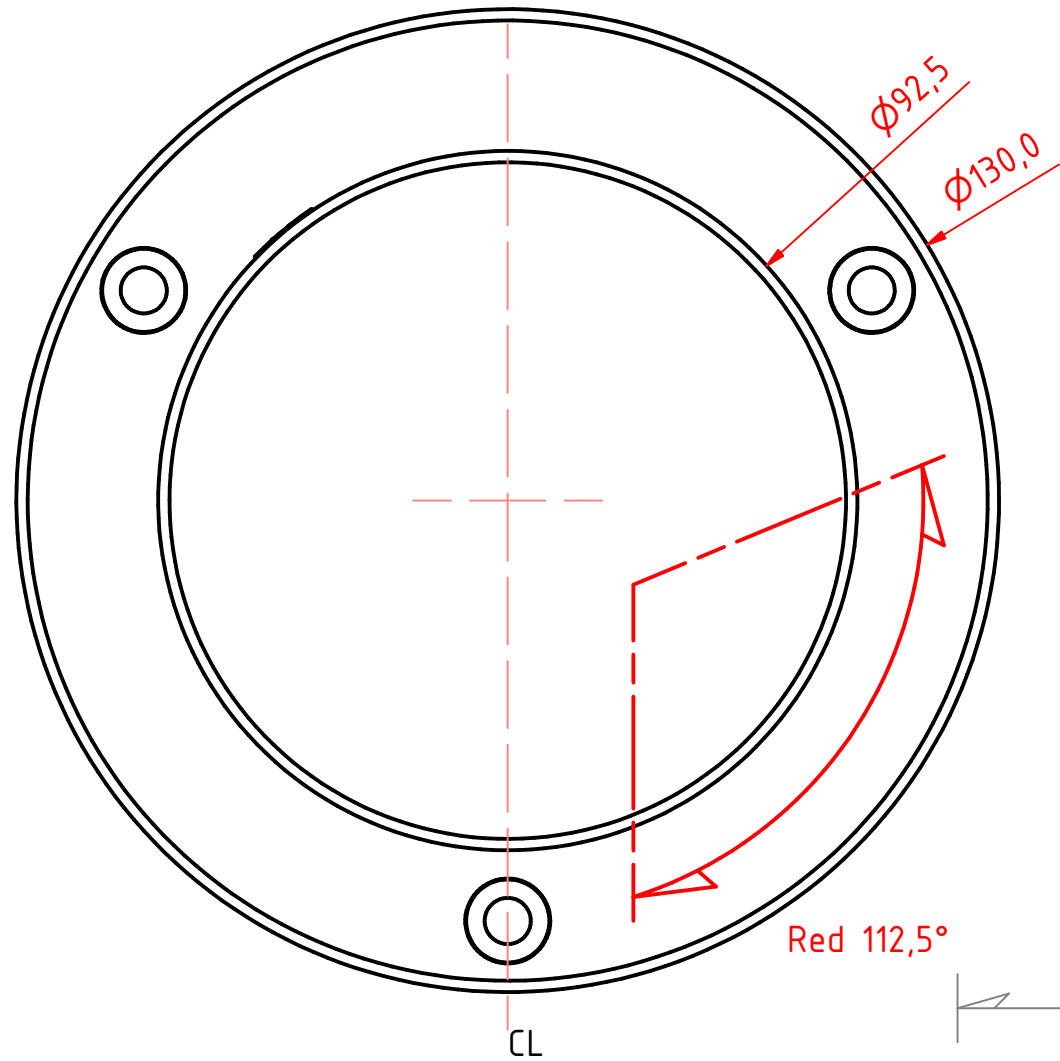
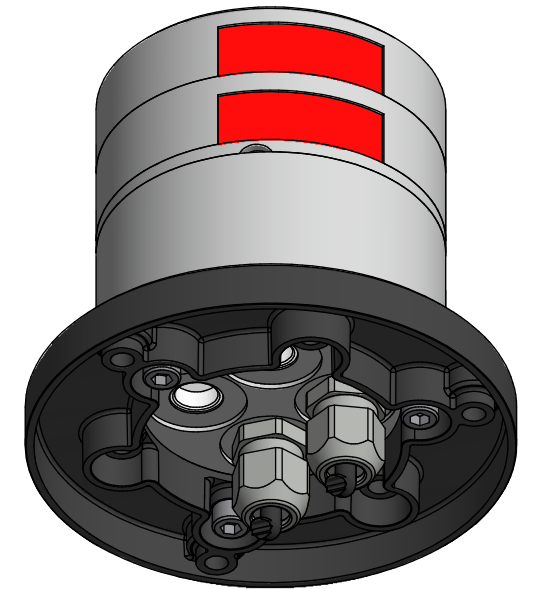
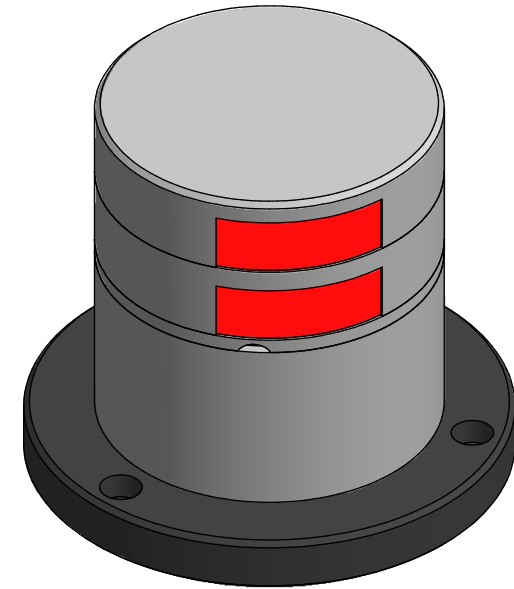
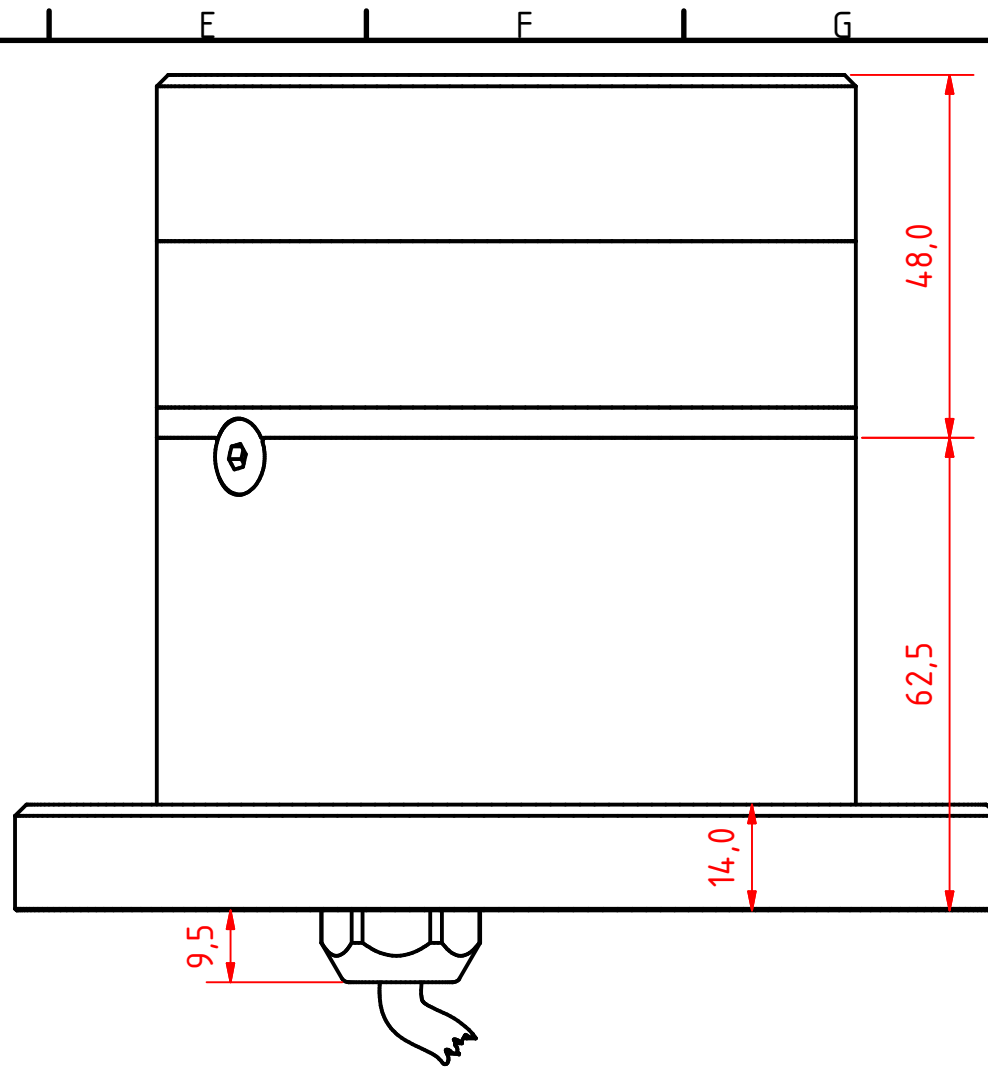
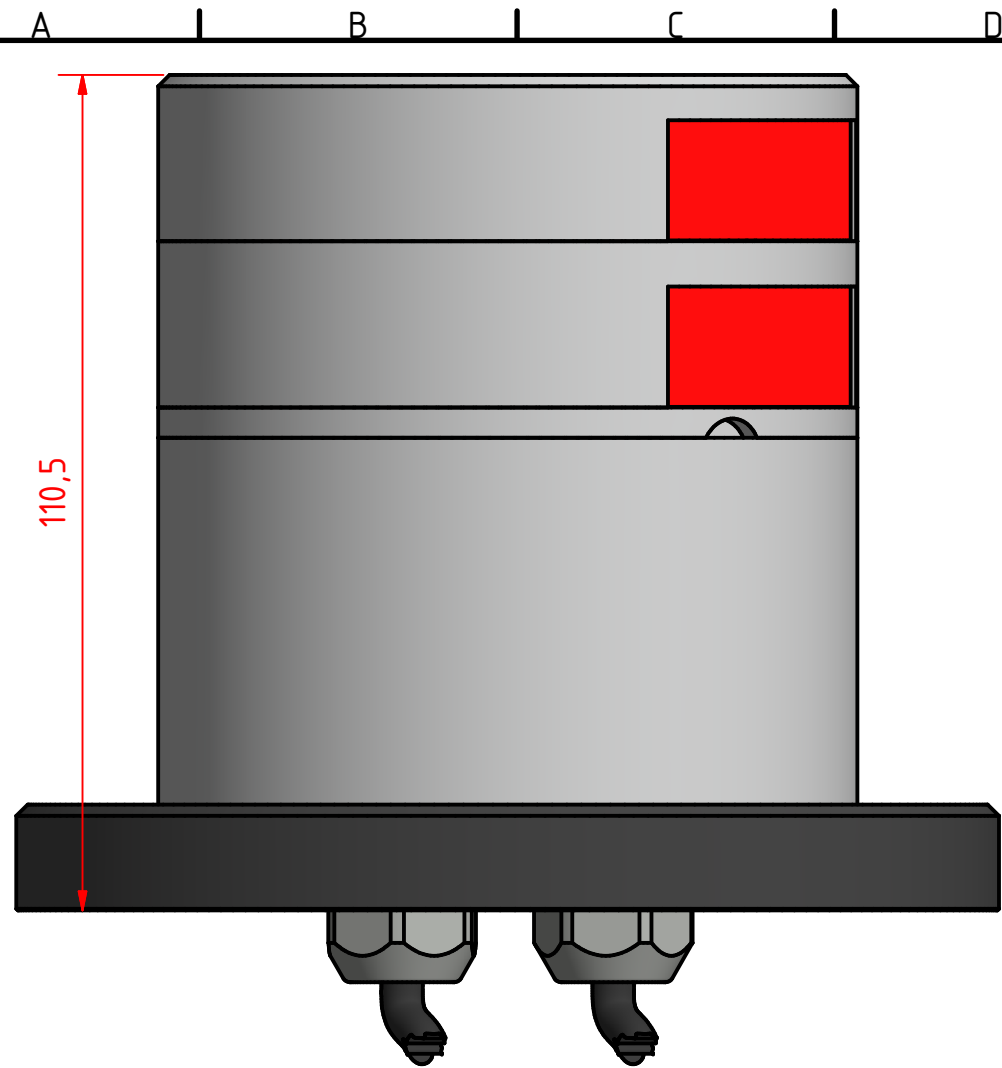
| | | | |
|--|---------------|--------------|----------------|
| DRAWING NO.: | REV. NO.: | SIZE: | DRAWN BY: |
| 301-009EB | 0 | A3 | Sergio |
| SCALE: | TOLERANCES: | REVIEWED BY: | CREATION DATE: |
| 1:1 | DS/ISO 2768-f | PHC | 24-04-2018 |
| MATERIAL DESCRIPTION: | | | |
| EN 6082, , Acrylic | | | |
| <small>(20µ) Silver anodized according to EN ISO 7599 (50µ) Black anodized according to MIL-A 8625F</small> | | | |
| <small>This Drawing, and the information within, is the property of Lopolight ApS and may not be used in any form without express permission there from. Lopolight reserves the right to change this drawing and assumes no liability for the information communicated herein. Use of dimensions and other information in this drawing is at the users own risk.</small> | | | |

LOPOLIGHT

Lopolight ApS
 Bakkegaardsvej 513
 DK-3050, Humlebaek
 Denmark

www.lopolight.com

Tel:(+45) 32 48 50 30 Fax:(+45) 32 48 50 32
 info@lopolight.com



301-009ST 2nm double port sidelight, HM, on a 400-035 promount base and 400-404 PE base plate, Cable Down

| | | | |
|---|-------------------------------------|----------------------------|-------------------------------------|
| DRAWING NO.: 301-009FB | REV. NO.: 0 | SIZE: A3 | DRAWN BY: Sergio |
| SCALE: 1:1 | TOLERANCES: DS/ISO 2768-f | REVIEWED BY: PHC | CREATION DATE: 24-04-2018 |
| MATERIAL DESCRIPTION: EN 6082, , Acrylic, PE (20µ) Silver anodized according to EN ISO 7599 (50µ) Black anodized according to MIL-A 8625F | | | |
| This Drawing, and the information within, is the property of Lopolight ApS and may not be used in any form without express permission there from. Lopolight reserves the right to change this drawing and assumes no liability for the information communicated herein. Use of dimensions and other information in this drawing is at the users own risk. | | | |

LOPOLIGHT

Lopolight ApS
 Bakkegaardsvej 513
 DK-3050, Humlebaek
 Denmark

www.lopolight.com

Tel:(+45) 32 48 50 30 Fax:(+45) 32 48 50 32
 info@lopolight.com

